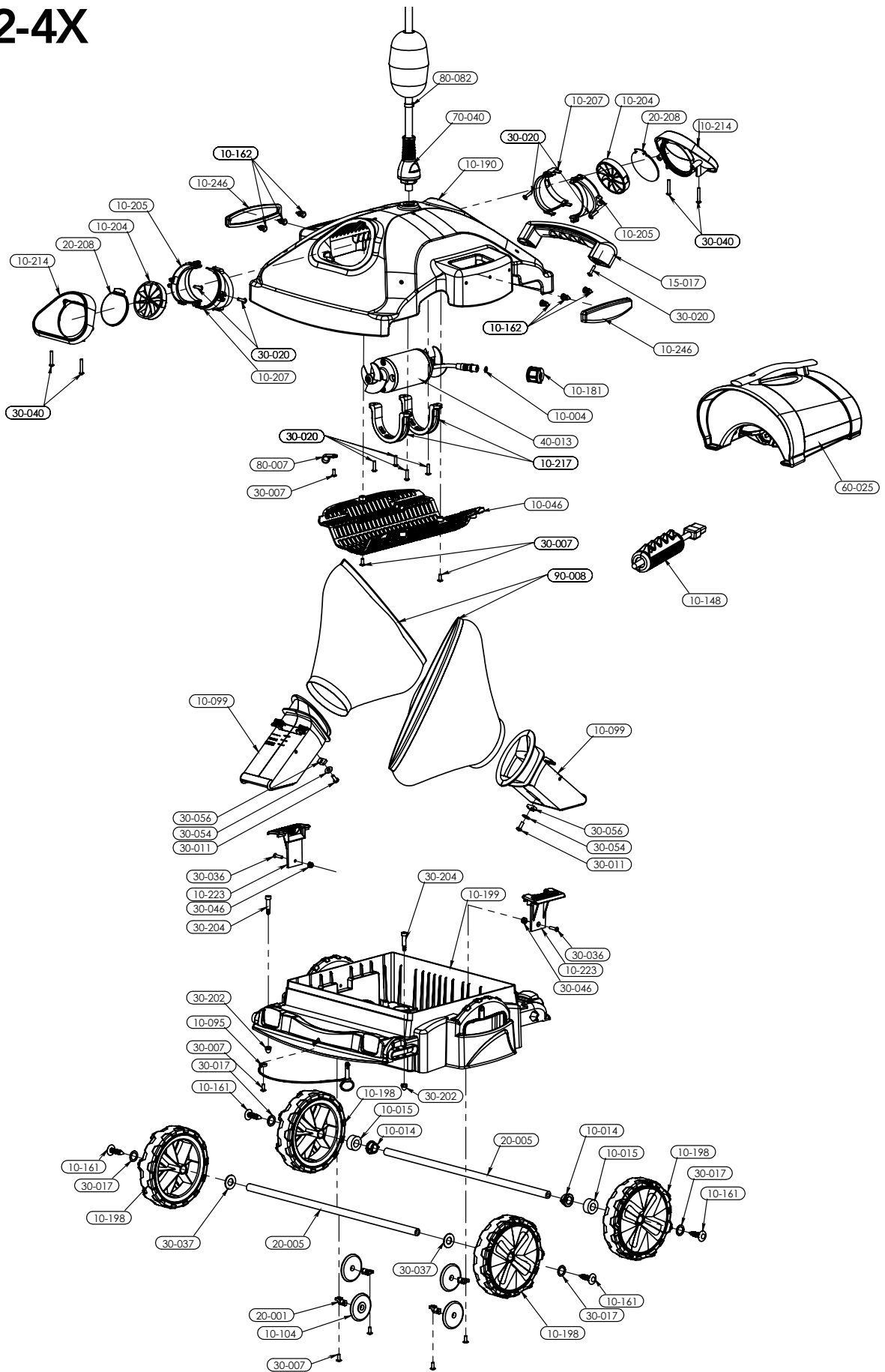


# PURA S2-4X



This parts book reflects the 2014 Bill Of Materials ONLY  
For products relating to 2013 and earlier,  
please refer to the appropriate legacy parts books