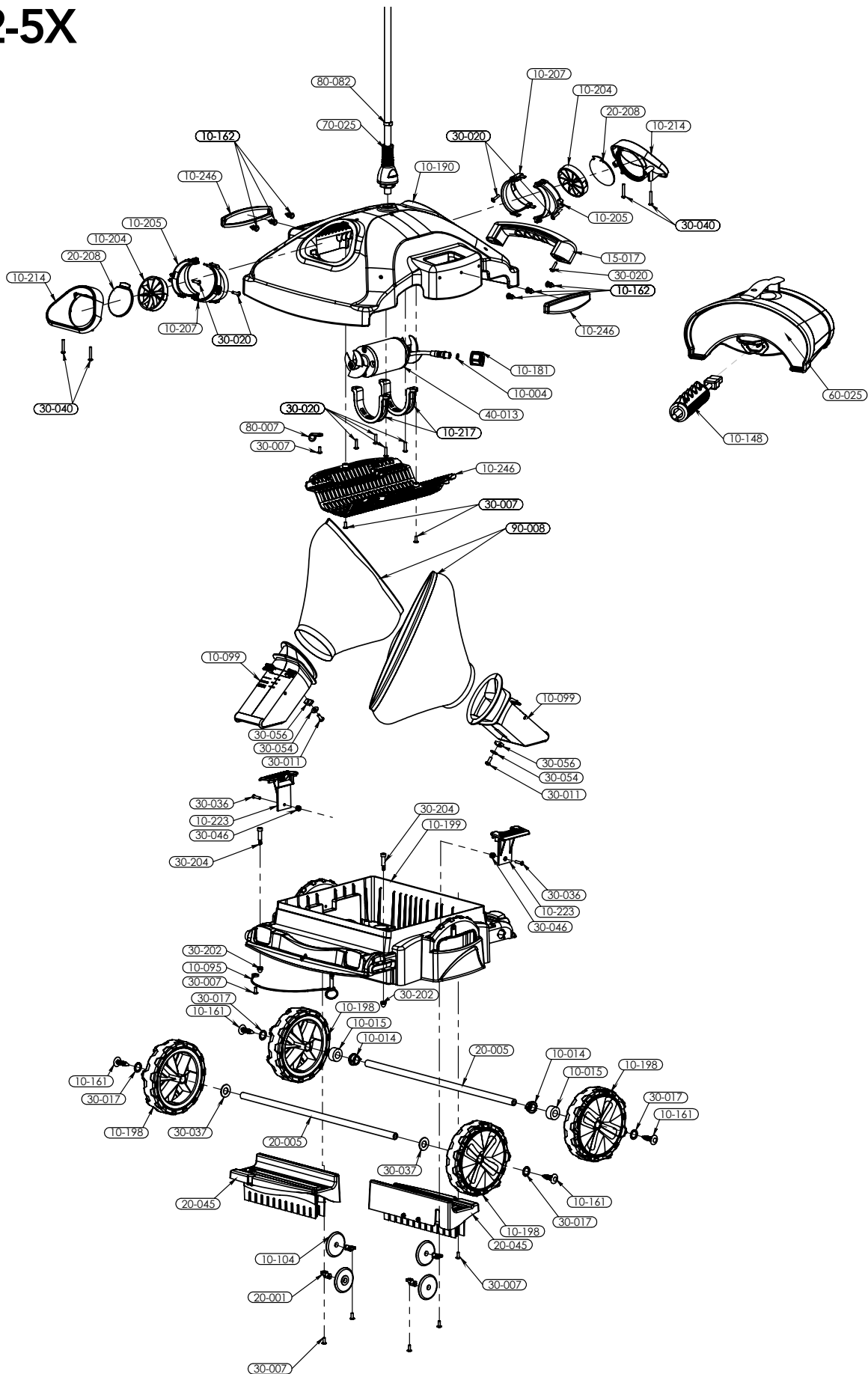


PURA S2-5X



This parts book reflects the 2014 Bill Of Materials ONLY
For products relating to 2013 and earlier,
please refer to the appropriate legacy parts books